

BICYCLES & CONDUCTOR CARS





INDEX

BICYCLES & CONDUCTOR CARS

CODE	TYPE	
CRS	Construction Conductor Cars for single conductor lines	9.10
CRB-CRT	Construction Conductor Cars for bundled conductor lines	9.15
CRQ	Inspection Conductor Cars	9.20
CRQ530	Inspection Conductor Car	9.25
CRM-CRF	Fast Inspection Conductor Car	9.30
BI	Overhead Lines Bicycles	9.35

BICYCLES & CONDUCTOR CARS

Customization and design improvements for the top level of safety!

Safety and reliability are the guidelines pursued by Tesmec designing and manufacturing conductor cars and bicycles for line maintenance and inspection.

The conductor cars and bicycles range is in continuous improvement and today we are proud to introduce on the market the new fast inspection

conductor car range, in two versions: CRM for single conductor lines and CRF suitable for two, three and four bundled conductor lines. The new fast inspection range represents the top level of safety according to the CE standard EN50374:2004 and its light design allows to climb efficiently over spacers and insulators.



BICYCLES & CONDUCTOR CARS: OUR VALUE PROPOSITION



CR: THE CONSTRUCTION CONDUCTOR CARS

The traditional range.

The CRS320, CRB300, CRT290 models are compliant with the EN50374:2004 to grant the top safety level during operations.

The light aluminium structure ensures high reliability and easy transportation and use on site. Furthermore the motorization option simplifies the operations.



CRM & CRF: THE NEW FAST INSPECTION CONDUCTOR CARS

Detachable conductor cars suitable for every line

The CRM and CRF conductor cars have a detachable structure composed by two sides and a central platform. Single line conductor cars and bundled line conductor cars can be assembled with three different lengths of platform.

Conductor cars can be assembled by one operator alone even on job site. Long platforms assure comfort and space to work on line fittings in total safety according with EN 50374:2004.



BI: SUPERIOR QUALITY

Overhead Lines Bicycles

Tesmec bicycles are suitable to fit aircraft warning spheres on single lines and to fit spacers on two, three and four bundled conductor lines.

The Tesmec bicycles are made by certified EU aluminium, with a light structure allowing easy transportation on site.

By pedalling forward the bicycle moves backward in order to provide the operator with necessary working space.

The cardan transmission grants high performances and comfort. The bicycles are equipped with a disc brake on the driving wheel and with an additional safety clamp, which brakes directly on the conductor acting as a stationary system. Meter counter and safety chains are also provided.

CRS010

CONSTRUCTION CONDUCTOR CARS FOR SINGLE CONDUCTOR LINES



CRS010

CRS320

CONSTRUCTION CONDUCTOR CARS FOR SINGLE CONDUCTOR LINES



CRS320

CONFIGURATION

This construction conductor car is made of light aluminium alloy and allows one person to cross or to inspect single conductor lines. The Mod. CRS010 is provided with a footrest a stationary brake a meter counter and a safety belt.

CHARACTERISTIC

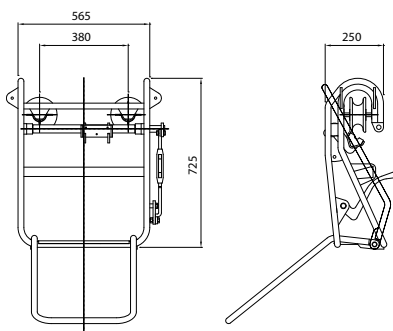
CAPACITY	100 kg
WEIGHT	13 kg

CONFIGURATION

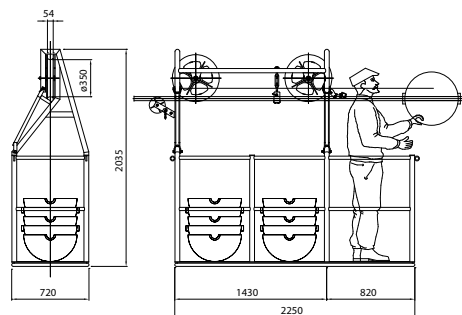
This construction conductor car is made of light aluminium alloy and allows one person to cross or to inspect single conductor lines. Complete with two aluminium neoprene lined, meter counter and stationary brake.

CHARACTERISTIC

CAPACITY	150 kg
WEIGHT	75 kg



CRS010



CRS320



CRB300



CRT290

CRB300

CONSTRUCTION CONDUCTOR CAR FOR BUNDLED CONDUCTOR LINES

according to EN50374:2004

CRT290

CONSTRUCTION CONDUCTOR CAR FOR BUNDLED CONDUCTOR LINES

according to EN50374:2004

CONFIGURATION

This construction conductor car is made of light aluminium alloy for 2 bundled conductors - 2 rigid axles - conductive wheels - one lineman.

CHARACTERISTIC

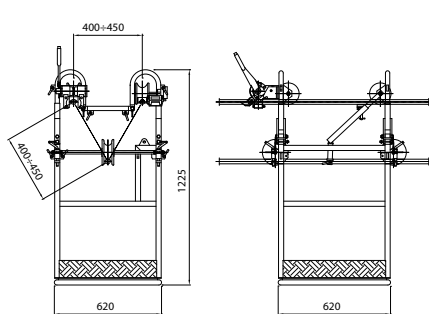
CAPACITY	100 kg
WEIGHT	30 kg

CONFIGURATION

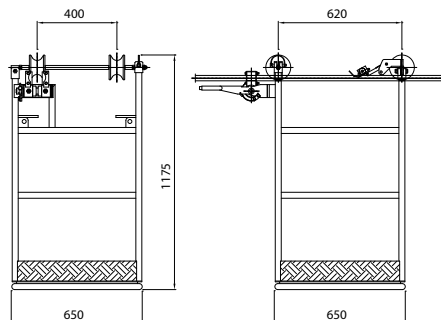
This construction conductor car is made of light aluminium alloy for 2-3 bundled conductors - independent wheels - conductive wheels - one lineman.

CHARACTERISTIC

CAPACITY	120 kg
WEIGHT	35 kg



CRT290



CRB300

CR

INSPECTION CONDUCTOR CARS

Wide range for every need spacer overcoming in safety conditions.



CRB060



CRQ141



CRT160

CRB060

inspection conductor cars for two bundled conductors lines, motorised version

WEIGHT	110 kg
ENGINE GASOLINE	3 kw
COOLING SYSTEM	air
STARTING SYSTEM	by handle

CRT160

inspection conductor cars for three bundled conductors lines, motorised version

WEIGHT	120 kg
ENGINE GASOLINE	3 kw
COOLING SYSTEM	air
STARTING SYSTEM	by handle

CRQ140

inspection conductor cars for four bundled conductors lines, motorised version

WEIGHT	125 kg
ENGINE GASOLINE	3 kw
COOLING SYSTEM	air
STARTING SYSTEM	by handle

Aluminium alloy inspection conductor cars that allow two persons in erected position to inspect two, three and four bundled conductor lines. The conductor cars are equipped with spacers and insulators surmounting device, stationary brakes, meter counter. Special models with different characteristics are available upon request.

CRB061

inspection conductor cars for two bundled conductors lines

SPACING	400 mm
CAPACITY	250 kg
WEIGHT	80 kg

CRT161

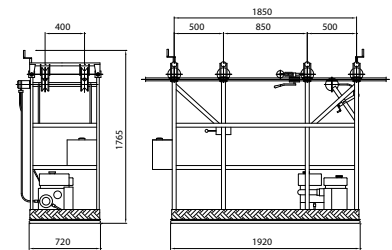
inspection conductor cars for three bundled conductors lines

SPACING	400 mm
CAPACITY	250 kg
WEIGHT	84 kg

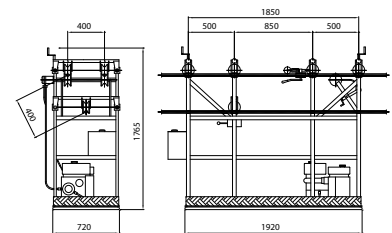
CRQ141

inspection conductor cars for four bundled conductors lines

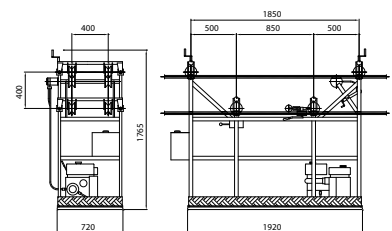
SPACING	400 mm
CAPACITY	250 kg
WEIGHT	95 kg



CRB060



CRT160



CRQ140

CRQ530

INSPECTION CONDUCTOR CAR

according to EN50374:2004



CRQ530

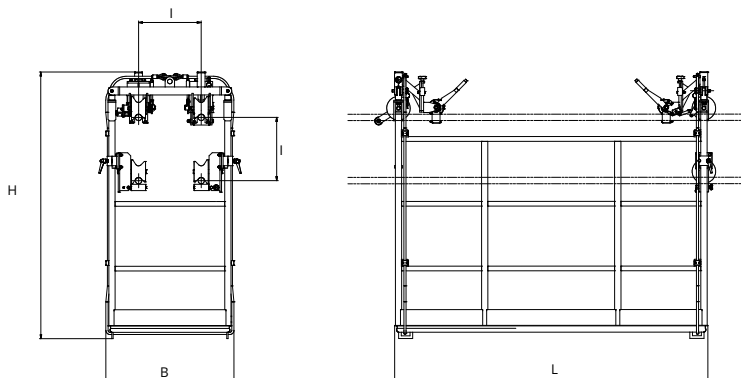
MODEL					CAPACITY [kg]	WEIGHT [kg]
	B	H	L	I		
CRQ530	818	1690	2000	400	250	90

CONFIGURATION

- Two detachable brakes
- Meter counter
- Grounding roller
- Safety rope

Special models are available upon request, including motorised.

Aluminium alloy conductor cars suitable for construction and inspection of bundled line that allow two person in erected position to work on two or four bundled conductors line. Conductor car is able to overpass spacer without stopping. Configuration with only two axle leave more space for operators and line works
Conductor car are equipped with brakes, safety rope, meter counter

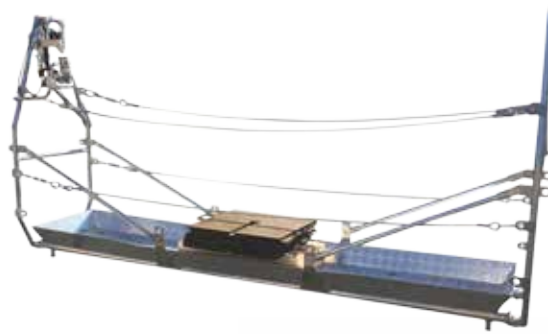


CRQ530

CRM

FAST INSPECTION CONDUCTOR CAR FOR SINGLE CONDUCTOR LINE

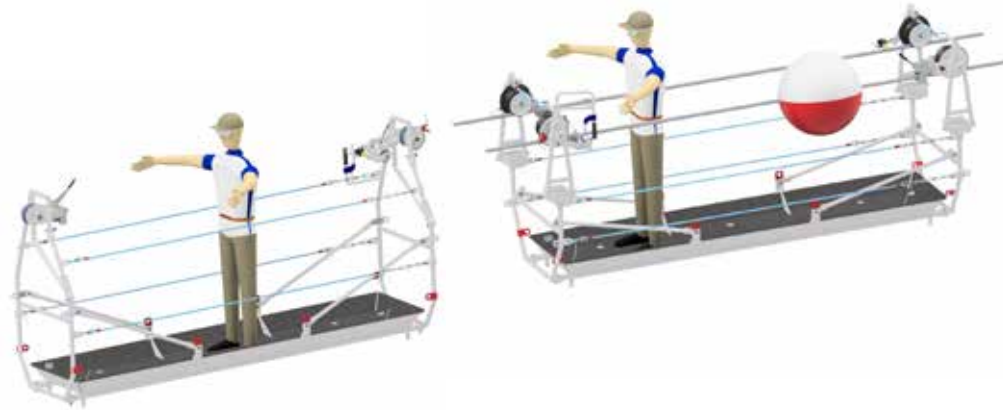
according to EN50374:2004



CRF

FAST INSPECTION CONDUCTOR CAR FOR BUNDLED CONDUCTOR LINE

according to EN50374:2004



CRM

MODEL	PLATFORMS				WEIGHT [kg]
		B	H	L	
CRM610+CRM620	CRC630	745	1565	3443	74
	CRC650	745	1565	5443	96
	CRC670	745	1565	7483	125

CRF

MODEL	PLATFORMS				WEIGHT [kg]
		B	H	L	
CRF660+CRF640	CRC630	986	1368	3300	113
	CRC650	986	1368	5300	124
	CRC670	986	1368	7340	163

CONFIGURATION

Front and rear ends CRF640 and CRF660 can be easily adjusted to different configuration

- Two bundled conductor lines spacing 400 and 600 mm
- Three bundled conductors line spacing 600 mm
- Four bundled conductors line spacing 400 mm

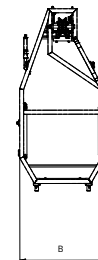
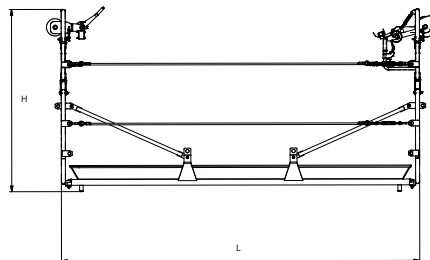
Conductor car is suitable to surmount spacer and warning sphere
It is provided with two independent dynamic disk brake and stationary brake

WORKING LOAD 265 kg

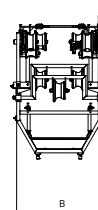
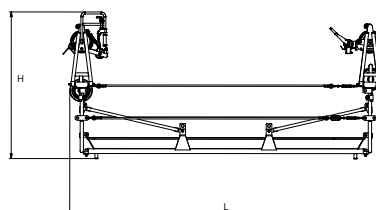
Detachable conductor cars suitable for construction and inspection of different configuration line.

They are made of light aluminium alloy. Design has been defined in accordance with the end users. conductor car has a detachable structure composed by two sides and a central platform. Single line conductor cars and bundled line conductor cars can be assembled with three different length of platform. Each platform is fully interchangeable with both configurations to assure maximum flexibility. Any part can be provided separately. Conductor cars can be assembled by one operator alone even on job site. Long platforms assure comfort and space to work on line fittings.

Conductor cars are provided with dynamic disk brake and stationary brake, meter counter and grounding device



CRM



CRF

Pictures & drawings can be different according to technical specifications - updating programme variations without notice are possible.

Certified Quality System
ISO 9001:2015

Certified Environmental System
ISO 14001:2015

Certified Health & Safety System
ISO 45001:2018



BI OVERHEAD LINES BICYCLES

light weight
comfort and safety

BIS002

in aluminium alloy for single lines

CAPACITY	100 kg
WEIGHT	26 kg

AVAILABLE DEVICES

BDC002 - Basket for working devices

BIB011

in aluminium alloy for two
bundled conductor lines

CAPACITY	100 kg
WEIGHT	34 kg

AVAILABLE DEVICES

BDC003 - Basket for working devices

BIT023

in aluminium alloy for three
bundled conductor lines

CAPACITY	100 kg
WEIGHT	38 kg

AVAILABLE DEVICES

BDC004 - Basket for working devices

NOTE: distance between conductors to be specified

BIQ031

in aluminium alloy for four
bundled conductor lines

CAPACITY	100 kg
WEIGHT	42 kg

AVAILABLE DEVICES

BDC005 - Basket for working devices

CONFIGURATION

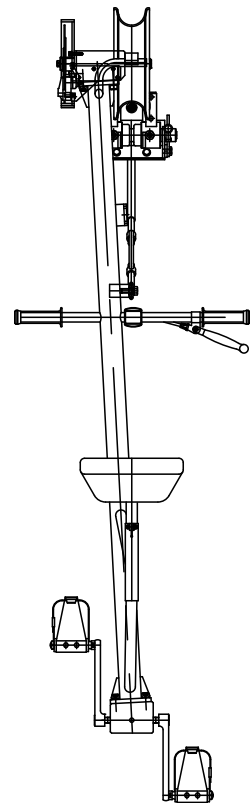
The bicycles are suitable to fit aircraft warning spheres on single lines and to fit spacers on two, three and four bundled conductor lines.

By pedalling forward the bicycle moves backward in order to provide the operator with necessary working space. The bicycles are equipped with a disc brake on the driving wheel and with an additional safety clamp, which brakes directly on the conductor.

A meter counter and safety chains are also provided.

For models BIB011 and BIQ031 the distance between conductors can be set adjusted with pitch of 50 mm.

Special models with different characteristics are available upon request.



BIS002

