

1475XL "EVO"



TrenchIntel

TrenchIntel
DGPS guidance system:
 Extra high precision 3D GPS system
 Automatic depth and grade control
 Autosteering to a predefined path
 Pass optimization and fleet control



TrenchTronic

TrenchTronic 4.0
Electronic Control with:
 Operator selectable digging pressure and automatic operation
 Fully automatic operation
 Remote diagnostic system



Re.M
Remote Control with:
 Machine data remote monitoring
 Fleet location management
 Troubleshooting information
 Operating conditions



TRENCHING DIMENSIONS

DOUBLE CHAIN
NARROW BOOM

8'-16"

244-488 cm

30"-48"

76-122 cm

DOUBLE CHAIN
WIDE BOOM

8'-14"

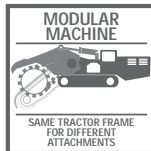
244-427 cm

42"-55"

107-140 cm

FEATURES AND APPLICATIONS

High performance rock trencher for mid to big size pipelines, the 1475XL EVO is the second largest Tesmec Chainsaw trencher. TrenchTronic 4.0 equipped, this 630 hp powered unit can dig trenches for big-diameter pipe up to 16' (488 cm) deep in the toughest conditions.



PIPELINE CONSTRUCTION



UNDERGROUND POWERLINES
INSTALLATION



LONG DISTANCE NETWORKS
INSTALLATION



URBAN DRAINAGE WORKS



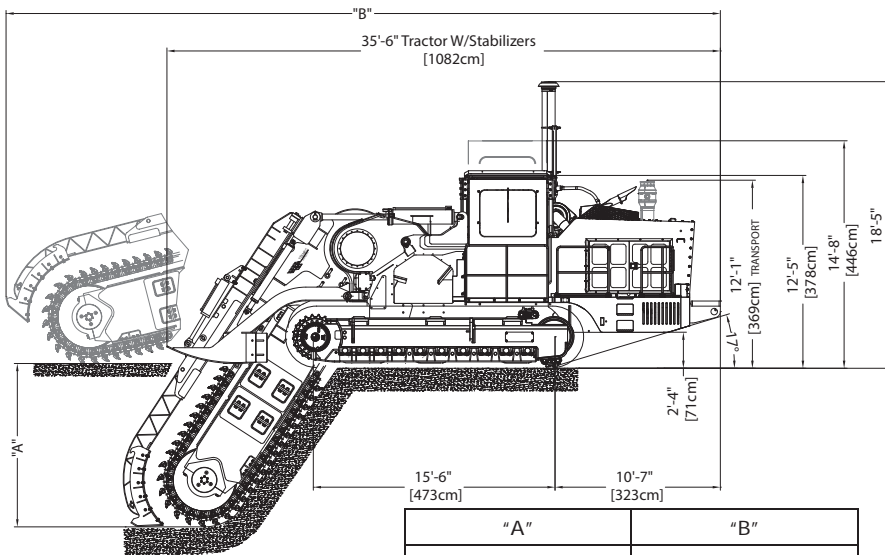
UNDERGROUND CONNECTION
NETWORKS INSTALLATION



CHANNEL EXCAVATION

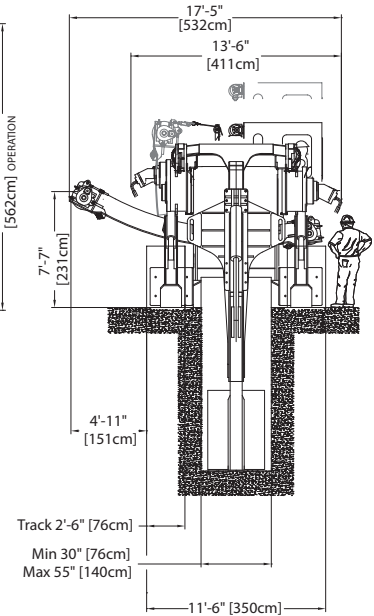


WATER AND SEWAGE NETWORKS
INSTALLATION



10 ft MACHINE SHOWN

"A"	"B"
8' (244 cm)	42'-7" (1.298 cm)
10' (305 cm)	45' (1.372 cm)
12' (366 cm)	47'-7" (1.450 cm)
14' (427 cm)	51' (1.554 cm)
16' (488 cm)	52'-5" (1.597 cm)



1475XL "EVO" CHAINSAW TECHNICAL SPECIFICATIONS

Standard Features

Pressurized, elevating ROPS and FOPS cab with air conditioning, heating, sound suppression
 Battery box and toolbox with locking door
 Fuel and hydraulic tank: aircraft quality locking caps
 Flywheel gearbox and hydraulic tanks: pressurized with 5 psi (0.3 bar) filtered breathers
 Flywheel gearbox: shaved, helical gearing, case hardened for extreme shock load
 Vibration isolator mount: used on engine, radiator, oil cooler, and exhaust silencer
 Stabilizers / dirt drags (chainsaw only): automatically adjust to terrain changes
 Lights: 24 V forward facing
 Digging chain boom top roller
 Hydraulic digging chain adjustment
 Hydraulic cooler externally mounted
 Electrical system: 24 V

Trenching Dimensions

DOUBLE CHAIN NARROW BOOM
 • Max depth.....16' (488 cm)
 • Widths range.....30"-48" (76-122 cm)
 DOUBLE CHAIN WIDE BOOM
 • Max depth.....14' (427 cm)
 • Widths range.....42"-55" (107-140 cm)
 Note: dependent on configuration and options

Engine

HIGHLY REGULATED COUNTRIES (EU, USA)
 Model.....CAT C18 ACERT Tier 4 final/Stage IV
 Max horsepower.....630 hp (470 kW)
 Max no load rpm.....2.000 rpm
 Fuel tank capacity.....420 gal (1.590 l)
 Urea tank capacity.....25 gal (94.6 l)
 Fuel consumption.....32.5 gal/hr (122.9 l/hr) at full load
 Estimated max urea consumption at full load.....
3.5% of fuel consumption
 Cooling rating adequate for 130° F (54.4° C) ambient air temperature
 Air cleaner: dry type, centrifugal precleaner with primary and secondary filters

LESSER-REGULATED COUNTRIES
 Model.....CAT C18 ACERT Tier 3
 Max horsepower.....630 hp (470 kW)
 Max no load rpm.....2.000 rpm
 Fuel tank capacity.....420 gal (1.590 l)

Fuel consumption.....34 gal/hr (128.8 l/hr) at full load
 Cooling rating adequate for 130° F (54.4° C) ambient air temperature
 Air cleaner: dry type, centrifugal precleaner with primary and secondary filters

Operating and Transport Weight

Weight.....204,369-240,305 lbs (92.700-109.000 kg)
 Ground pressure.....18.7-22.04 psi (1.31-1.54 kg/cm²)
 Note: dependent on configuration and options

Trencher Drive

Hydrostatic: four pumps and two motors capable of transmitting full engine horsepower
 Flywheel gearboxes, shaved, helical gearing, case hardened for extreme shock load
 5 operator selectable digging speed ranges:
0-154 fpm (0-47 m/min)
0-265 fpm (0-80 m/min)
0-325 fpm (0-99 m/min)
0-395 fpm (0-120 m/min)
0-443 fpm (0-135 m/min)
 Tailwheel diameter.....4' (122 cm)
 Cutters: rotary carbide tipped 1 1/2" (3.81 cm) shank diameter
 Digging chain: D9L

Crawler Drive

Dual path, hydrostatic drive, planetary transmissions capable of full counter rotation with single lever steering, single lever direction
 Infinitely variable speed: forward and reverse:
 • High range.....0-1.54 mph (0-2.47 km/hr)
 • Low range.....0-0.77 mph (0-1.24 km/hr)
 Integral parking and service brake: spring applied, hydraulic release, wet disc brake

Tracks

Overall track length.....15' 6" (473 cm)
 Track pad type: double demi-grouser (single grouser available as option)
 Track chain type: Caterpillar 365/374 (1" 1/8 bolts)
 Track pad width.....2' 6" (76 cm)

Hydraulic Transmission

Pressure and flow compensated (load sensing)
 Pump flow maximum.....45 gpm (170 l/min)
 Pressure setting.....2.500 psi (172 bar)
 Oil tank capacity.....191 gal (723 l)

Cross Conveyor

Hydrostatic: one pump and two motors
 Reversible and shiftable
 Belt speed infinitely variable.....0-900 fpm (0-275 m/min)
 Discharge direction: right or left
 Conveyor belt width.....2' 12" (91.4 cm)
 Conveyor length.....14' 9" (450 cm)
 Discharge height.....7' 7" (231 cm)

Transport Dimensions

Length with crumbshoe.....8 ft boom: 42' 7" (1.298 cm)
10 ft boom: 45' (1.372 cm)
12 ft boom: 47' 7" (1.450 cm)
14 ft boom: 51' (1.554 cm)
16 ft boom: 52' 5" (1.597 cm)
 Length without boom:
 only tractor with stabilizers.....35' 6" (1.082 cm)
 Width with digging motors.....13' 6" (411 cm)
 Width without digging motors.....11' 6" (350 cm)
 Height with cab.....12' 5" (378 cm)
 Height with cab elevated.....14' 8" (446 cm)

Main Available Devices

ALL001 Air compressor
 ALL003 Side mounted truck loading conveyor - not foldable and within transport dimension
 ALL010 Automatic greasing
 ALL012 Safety devices
 ALL015 Pneumatic greasing
 OPT002 Fuel pump
 OPT005 Laser automatic system for depth control
 OPT008 Rubber track pads
 OPT011 Subscription for the Remote Asset Management (monitoring via GPRS) per year
 OPT012 Work light package
 OPT014 Video Camera
 OPT015 3DGPS System for automatic machine guidance
 OPT023 Remote control for maintenance
 OPT025 Oil pump

For a complete devices list see the Available Devices chart