

950R T620



TESMEC
Trencher



TrenchIntel

TrenchIntel
DGPS guidance system:
Extra high precision 3D GPS system
Automatic depth and grade control
Autosteering to a predefined path
Pass optimization and fleet control



TrenchTronic

TrenchTronic 4.0
Electronic Control with:
Operator selectable digging pressure and automatic operation
Fully automatic operation
Remote diagnostic system

Re.M
Remote Monitoring Systems

Re.M
Remote Control with:
Machine data remote monitoring
Fleet location management
Troubleshooting information
Operating conditions

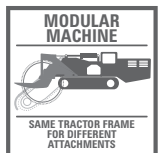


TRENCHING DIMENSIONS

1'-2"
30-62 cm
4"-6"
10-15 cm

FEATURES AND APPLICATIONS

High performance wheel trencher specially designed for Telecom / Fiber Optic projects in urban areas. This model features offset digging back-end, truck loading conveyor, and - as optional - an automatic cable laying system, plus automatic backfilling. The versatile 950R trencher range can also be equipped with the chainsaw attachment. TrenchTronic 4.0 equipped.



UNDERGROUND POWERLINES
INSTALLATION



METROPOLITAN NETWORKS
INSTALLATION



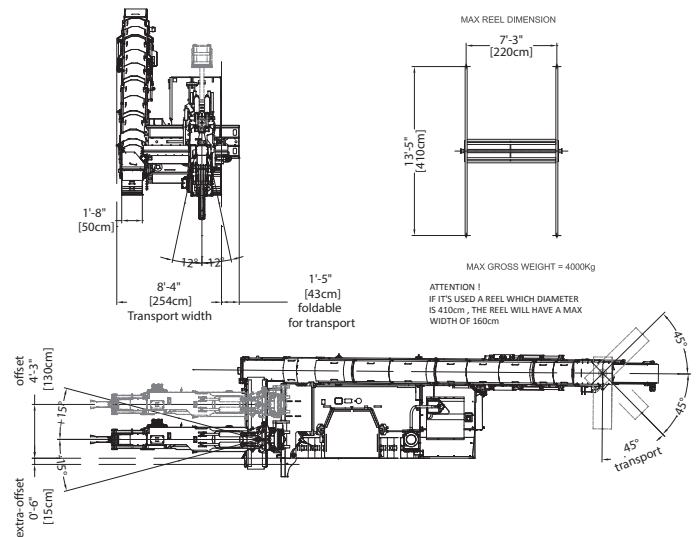
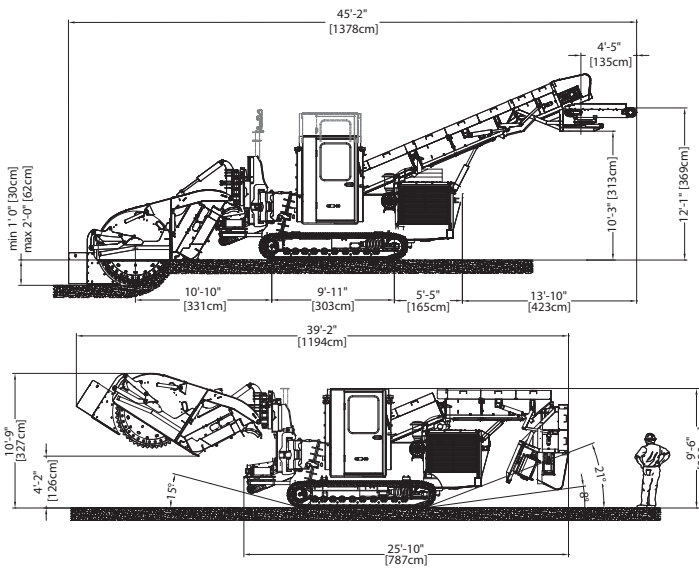
ACCESS NETWORKS INSTALLATION
(TRENCHING OR TRENCHLESS)



OPTICAL FIBER INSTALLATION



UNDERGROUND CONNECTION
NETWORKS INSTALLATION



950R ROCKSAW T620 TECHNICAL SPECIFICATIONS

Standard Features

Pressurized cab with air conditioning, heating, sound suppression
 Elevating cab module with roll over protection (ROPS)
 Positive locking digging chain adjustment
 Cab and compartment security locks
 Vibration isolator mount: used on engine, radiator, oil cooler, exhaust silencer and operator station
 Fuel and hydraulic tank: pressurized and with locking caps
 Electrical system: 24 V

Trenching Dimensions

Widths Range: 4" - 6" (10 - 15 cm)
 Min Excavation Depth: 1' (30 cm)
 Max Excavation Depth: 2' (62 cm)
 Offset from track edge (cab side): 4' 3" (130 cm)
 Super-offset (cab side): 6" (15 cm)

Engine

HIGHLY REGULATED COUNTRIES (EU, USA)
 Model: CAT C7.1 ACERT Tier 4 / Stage V
 Max horsepower: 275 hp (205 kW)
 Max no load rpm: 2.150 rpm
 Fuel tank capacity: 132 gal (500 l)
 Urea tank capacity: 9.1 gal (34.5 l)
 Fuel consumption: 14.5 gal/hr (55 l/hr) at full load
 Estimated max urea consumption at full load: 4% of fuel consumption
 Cooling rating adequate for 115° F (46° C) ambient air temperature
 Air cleaner: dry type, 2 stages with dual pre-cleaner

LESSER-REGULATED COUNTRIES
 Model: CAT C7.1 ACERT Tier 3
 Max horsepower: 275 hp (205 kW)
 Max no load rpm: 2.150 rpm
 Fuel tank capacity: 132 gal (500 l)
 Fuel consumption: 14.3 gal/hr (54 l/hr) at full load
 Cooling rating adequate for 115° F (46° C) ambient air temperature
 Air cleaner: dry type, 2 stages with dual pre-cleaner

Operating and Transport Weight

Weight: 54,234 lbs (24'600 kg)
 Ground pressure: 11.4 psi (0,80 kg/cm²)

Trencher Drive

Hydrostatic: one variable displacement pump and one motor
 Infinitely variable wheel speed: standard ratio 0-1150 fpm (0-350 m/min)
 Digging teeth (*): 6/7" (22 mm) diameter shank, rotary carbide insert
 * Dependent on trenching dimensions

Crawler Drive

Dual path, hydraulic drive, planetary transmissions with single lever steering, single lever direction
 Variable displacement pump and motor
 Infinitely variable speed:
 forward and reverse: 0-1.6 mph (0-2.6 km/hr)
 Integral parking and service brake: spring applied, hydraulic release, wet disc brake

Tracks

Self-leveling (tilting) undercarriage:
 • Track tilt angle: +5°/-5°
 • Automatic/manual operation
 Overall track length: 9' 11" (303 cm)
 Track pad type: triple grouser
 Track chain type: FL6
 Track pad width: 1' 8" (50 cm)

Hydraulic Transmission

Pressure and flow compensated (load sensing)
 Pump flow maximum: 71 gpm (270 l/min)
 Pressure setting: 2.500 psi (172 bar)
 Oil tank capacity: 80 gal (300 l)

Conveyor

WHEEL CONVEYOR
 Pressure and flow compensated pump with dual hydraulic drive motors
 Belt speed infinitely variable: 0-295 fpm (0-90 m/min)
 Discharge direction: towards the cross conveyor

CROSS CONVEYOR
 Pressure and flow compensated pump with dual hydraulic drive motors
 Belt speed infinitely variable: 0-1.150 fpm (0-350 m/min)
 Discharge direction: right or left
 Conveyor belt width: 1' 8" (50 cm)
 Conveyor length: 6' 1" (185 cm)

Transport Dimensions

Height: 9' 6" (290 cm)
 Length with crumbshoe and truck loading conveyor: 39' 2" (1194 cm)
 Width: 8' 4" (254 cm)

Main Available Devices

Ask Tesmec for a complete devices list