

975EVO



TrenchIntel

**TrenchIntel
DGPS guidance system:**
Extra high precision 3D GPS system
Automatic depth and grade control
Autosteering to a predefined path
Pass optimization and fleet control



TrenchTronic

**TrenchTronic 5.0
Electronic Control with:**
Operator selectable digging
pressure and automatic operation
Fully automatic operation
Remote diagnostic system



Remote Monitoring Systems

**Re.M
Remote Control with:**
Machine data remote monitoring
Fleet location management
Troubleshooting information
Operating conditions



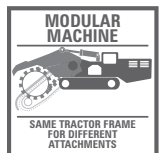
TRENCHING DIMENSIONS

0-14"
0-35 cm

9'6"
290 cm

FEATURES AND APPLICATIONS

The Rock Hawg version of the 975 EVO model is conceived as a small-size machine for surface mining and bulk excavation with its 9' 6" (290 cm) wide drum. TrenchTronic 5.0 equipped.



BULK EXCAVATION WORKS



RAILWAY SOIL PREPARATION



SOIL RECLAMATION



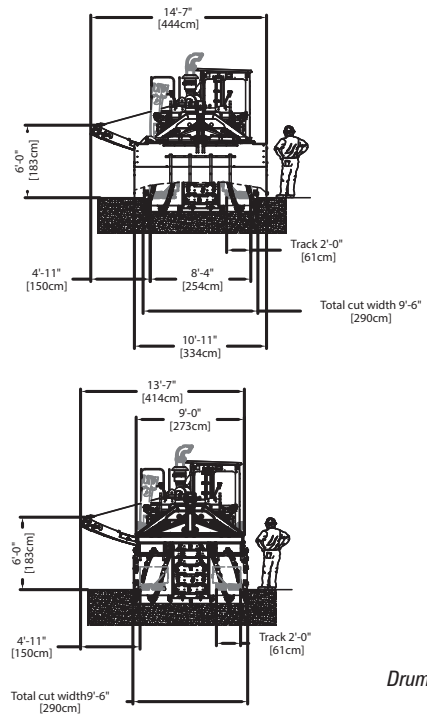
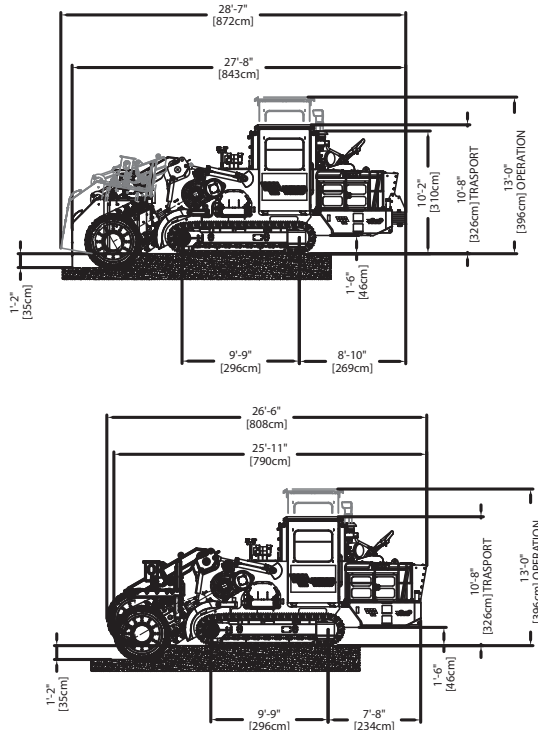
TUNNEL WORKS



SURFACE MINING



CHANNEL EXCAVATION



Drum cover not shown

975EVO ROCK HAWG TECHNICAL SPECIFICATIONS

Standard Features

Pressurized cab with air conditioning, heating, sound suppression
 Elevating cab module with roll over protection (ROPS-FOPS)
 Electrical system: 24 V
 Anti vibration isolator mounts: used on engine, radiator/oil cooler unit and cab
 Positive locking digging chain adjustment

Trenching Dimensions

Excavation width.....9' 6" (290 cm)
 Excavation depths range.....0-14" (0-35 cm)

Engine

HIGHLY REGULATED COUNTRIES (EU, USA)
 Model.....Caterpillar C9.3B US EPA Tier 4 / EU Stage V, turbocharged and after cooled
 Max gross horsepower.....375 hp (280 kW)
 Max no load rpm.....2000 rpm
 Fuel tank capacity.....174 gal (660 l)
 Fuel consumption at full load.....18 gal/hr (68 l/hr)
 Urea tank capacity.....17.3 gal (65.4 l)
 Estimated max urea consumption at full load.....
8% of fuel consumption
 Cooling rating adequate for 130° F (54.4° C) ambient air temperature
 Air cleaner: dry type, 2 stages with dual precleaner

LESSER REGULATED COUNTRIES
 Model.....Caterpillar C9.3B LRC (EPA Tier 3 equivalent), turbocharged and after cooled
 Max horsepower at no load.....375 hp (280 kW)
 Max no load rpm.....2000 rpm
 Fuel tank capacity.....174 gal (660 l)
 Fuel consumption at full load.....18 gal/hr (68 l/hr)
 Cooling rating adequate for 130° F (54.4° C) ambient air temperature
 Air cleaner: dry type, 2 stages with precleaner and automatic dust ejection

Operating and Transport Weight

Weight:.....97,000 lbs (44,000 kg)
 Ground pressure:.....17.8 psi (1.21 kg/cm²)

Trencher Drive

Hydrostatic: two pumps and two motors capable of transmitting full engine horsepower in the digging speed range from 522- 970 fpm (159-296 m/min)
 Flywheel gearboxes, shaved, helical gearing, case hardened for extreme shock load
 Four operator selectable digging speed ranges. Drum speeds:
0-490 fpm (0-150 m/min)
0-690 fpm (0-210 m/min)
0-890 fpm (0-270 m/min)
0-990 fpm (0-300 m/min)
 Max digging chain pull:
Peak 252 kN (56,700 lbs)
Continuous 98 kN (21,800 lbs)
 No.2 chains Cat 54/345 or equivalent
 Standard cutters: rotary carbide tipped 1.5" (3.8 cm) shank diameter
 Cutting Mode: Up Cutting

Crawler Drive

Dual path, hydrostatic drive, planetary transmissions capable of full counter rotation with single lever steering, single lever direction
 Infinitely variable speed: forward and reverse
 Speed ranges:
 • High range.....0-1.71 mph (0-2.75 km/hr)
 • Low range.....0-0.86 mph (0-1.38 km/hr)
 Integral parking and service brake: spring applied, hydraulic release, wet disc brake

Tracks

Overall track length.....9' 9" (298 cm)
 Track pad type: triple grouser (single or double grouser also available as option)
 Track chain type: Caterpillar D5
 Track pad width.....2' (61 cm)

Hydraulic Transmission

Pressure and flow compensated (load sensing)
 Pump flow maximum.....43 gpm (164 l/min)
 Pressure setting.....2,500 psi (172 bar)
 Oil tank capacity.....73 gal (275 l)

Cross Conveyor

Pressure and flow compensated pump with dual hydraulic drive motors
 Reversible and shiftable
 Belt speed infinitely variable 0-790 fpm (0-240 m/min)
 Discharge direction: right or left
 Conveyor belt width.....1' 11" (60 cm)
 Conveyor length.....8' 2" (250 cm)
 Discharge height.....4' 9" (145 cm)

Transport Dimensions

Height over cab.....10' 6" (321 cm)
 Length.....27' (822 cm)
 Width, with drum.....9' 6" (286 cm)
 Width, without drum:
 without motor removal.....9' 5" (286 cm)
 with motor removal.....8' 4" (254 cm)

Main Available Devices

Ask Tesmec for a complete devices list