

# Cleanfast

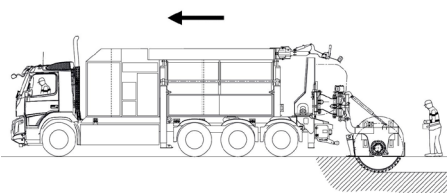


**Re.M**  
Remote Monitoring Systems

- Machine operating parameters
- Performance monitoring
- Asset localization + anti-theft
- Fleet management
- Diagnostics
- Maintenance scheduling



## OPERATING PRINCIPLE



## FEATURES AND APPLICATIONS

Cleanfast is a versatile machine that assures high productivity, high accuracy, limited disturbance to residents and quick restoration of the road. It's a high-performance trencher for a cost efficient, clean and fast deployment of fiber optic and electric networks in urban and motorway environments. Equipped with an axially driven up to 67 cm deep trenching wheel, it is able to simultaneously vacuum out and collect the excavated material, trenching in different soil types (concrete, asphalt, rock).

Cleanfast assures a clean and dust-free job site, a reduced amount of excavated material produced with adapted narrow tools and no material or dust thrown out during earth work; it provides complete filtration of rejected air.



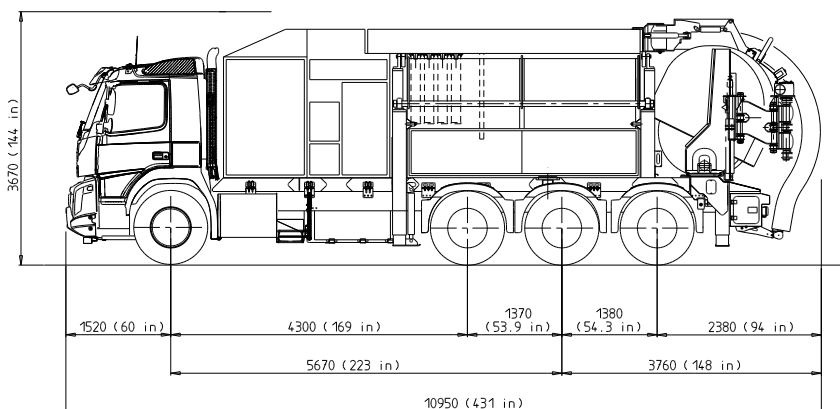
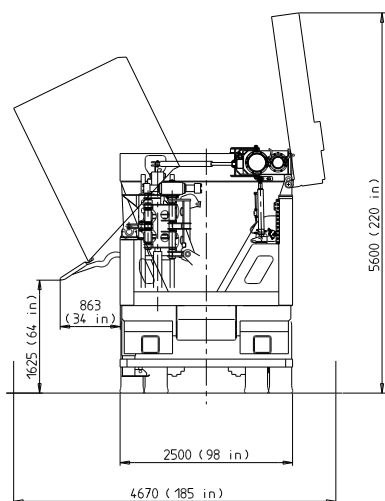
METROPOLITAN NETWORKS  
INSTALLATION



OPTICAL FIBER INSTALLATION



ACCESS NETWORKS INSTALLATION  
(TRENCHING OR TRENCHLESS)



## CLEANFAST TECHNICAL SPECIFICATIONS

### Standard Features

Closed cabin: ergonomic for optimal visibility, seat with seatbelt, adjustable steering column, heating ventilation pack

Driving and trenching assistance: video surveillance system inside the cabin

Ergonomic remote control with operator presence function

Bank valve with manual over-ride allows emergency commands in fault conditions

Telescopic stabilizer: on the left side during the discharge phase of the skip

Tools compartments: 1 behind the cab + 2 left side

Electrical system: 24 V

### Trenching Dimensions

R500AC WHEEL

Max depth.....500 mm

Standard width segments.....80-100-120-130 mm

### Machine

Carrier.....Volvo Tridem 8x4

Engine.....Volvo D13 309 kW

Max torque.....2100 Nm at 860-1400 r/min

Gearbox.....Reinforced 12 speed I-Shift Robot

Fuel tank capacity.....610 l

DEF tank capacity.....90 l

Suspensions.....pneumatics

Tires.....front: 385/65R22,5

rear driven: 315/80R22,5

rear non-driven: 385/65R22,5

### Operating and Transport Weight

Gross weight authorized\*.....32000 kg

Max unloaded weight.....25770 kg

Max useful load authorized.....6350 kg

\*According to French law

### Trenching tool movement

Offset.....807 mm, tool axis/machine axis

Extra offset.....280 mm max right side, tool axis/machine axis

Pivot.....25° left and 135° right to transport position, tool axis/machine axis

Axially driven by hydraulic motor on the left side

Evacuation of excavated material: by suction

### Carrier driving

Road max speed.....90 km/h

Hydrostatic max speed.....720 m/h

Hydrostatic work speed.....50 m/min

### Hydraulic circuit

Three closed circuit pumps: hydrostatic transmission, suction turbine and trenching tool

Four gear service pumps

Two bank valves ON/OFF

Pressurized hydraulic oil tank:

Capacity.....200 l

Pressurization max.....250 mb

### Suction base

Turbine:

Flow.....20400 m<sup>3</sup>/h

Depression.....1,43 psi

Main suction hose diameter.....Ø 250 mm

Secondary suction hose diameter.....Ø 150 mm

Air filtration:

Dust filters number: 40 (36 height 1000 mm+4 height 600 mm)

Emptying of delicate dust: by the bottom of skip during the spilling

Maintenance.....Access from the roof of the skip

Filtered air discharge:

Cycle.....continuous

Circuit.....through soundproof duct then in rooftop air

Dislogging:

Type.....OFF Line through compressed air flow

Cycle.....manual

Cycle duration.....1 min 40 s

Air compressor flow.....2000 l/min

Air compressor max pressure.....10 bar

Skip:

Useful capacity.....5,5 m<sup>3</sup>

Materials emptying: left lateral spill with deflector on dumpster and ground clearance of 1,60 m

Materials emptying assistance: shaker on skip

Materials packaging:

Roll on roll off skip

Ground spilling

### Transport dimensions

Carrier wheelbase.....4300 mm

Length without tool attachment.....10400 mm

Length transport mode/work mode.....10950/12500 mm

Width.....2500 mm

Height transport mode/spilling mode.....3670/5600 mm

### Optional Equipment

R600AC WHEEL

Depth max.....600 mm

Width segments.....80-100-120-130 mm

PCD DISK

Depth max.....250 mm

Width PCD disk.....13-16 mm

Width Cutter bits disk.....25-30-35 mm

R670AC WHEEL

Depth max.....670 mm

Width segments.....80-100-120-130 mm